

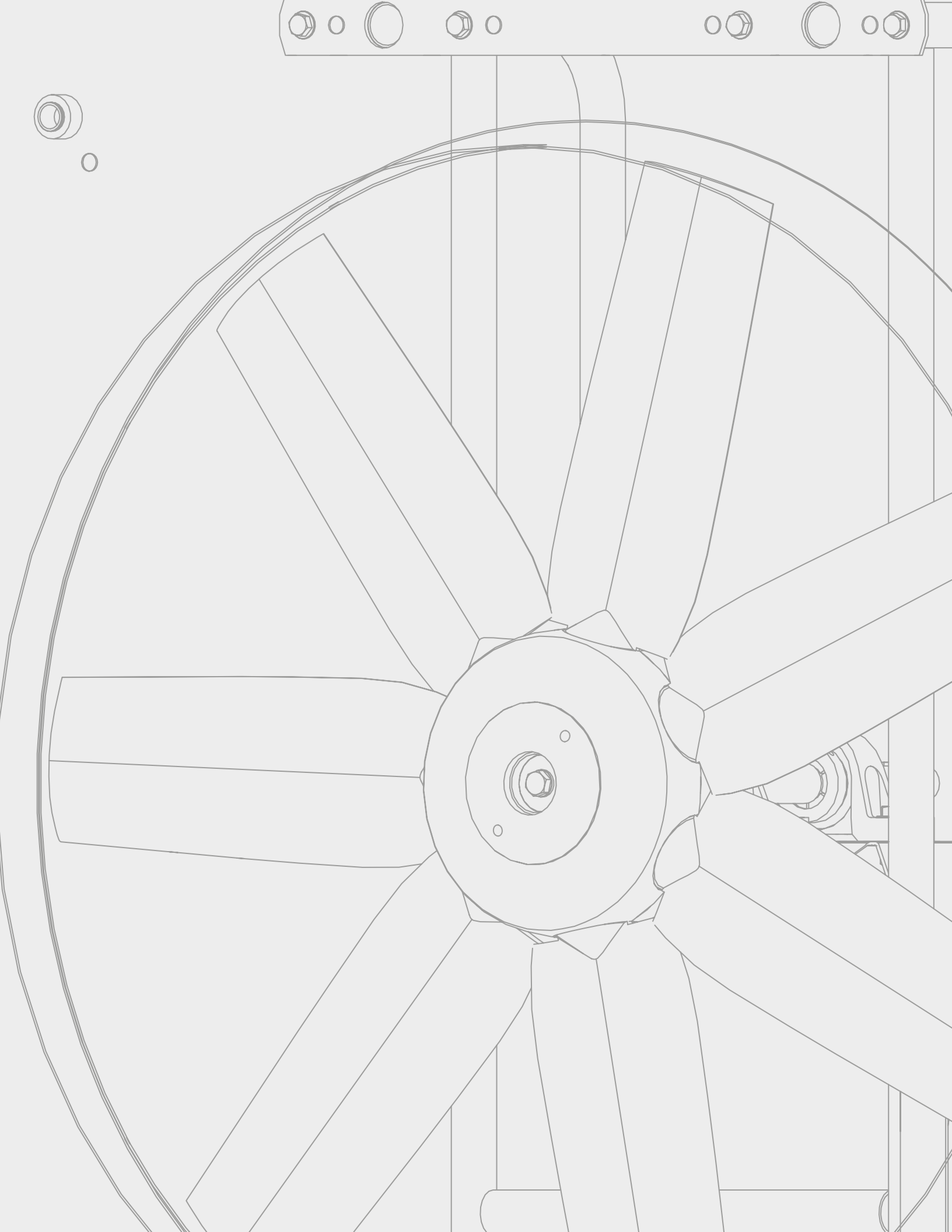


HGTA

Ventiladores Axiales
CON TRANSMISIÓN



Soler&Palau
Ventilation Group





Información general



Ventilador axial especialmente diseñado para extraer o inyectar aire en aplicaciones comerciales e industriales, donde se requiera mover grandes volúmenes de aire. Cuenta con transmisión poleas-bandas que ofrece grandes prestaciones y vence una mayor caída de presión que un axial tradicional, con un bajo nivel sonoro.

El diseño de sus álabes con perfil aerodinámico brinda una mayor eficiencia, mientras que el diseño del venturi reduce las turbulencias.

La serie HGTA está disponible en tres tamaños: **630, 800 y 1000**.

Aplicaciones



Estacionamientos



Bodegas
y almacenes



Naves
industriales



Locales
deportivos

Nomenclatura

I - HGTA - 630 / H 2 - 1300

Extractor
(de línea)
I: Inyector

Siglas de
la serie

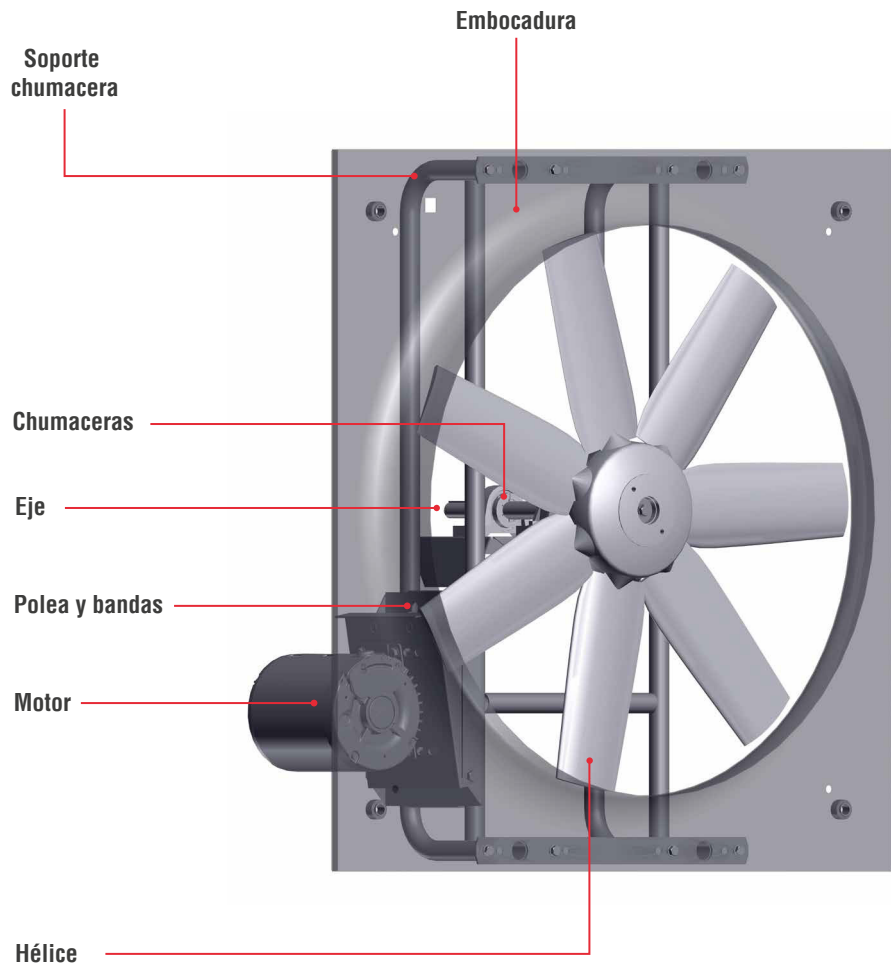
Tamaño
nominal del
equipo
en mm

Ángulo de
hélice

Potencia
instalada
en HP

Velocidad de giro
en RPM

Características constructivas



Álabes y cubo de alta resistencia mecánica fabricados en aluminio inyectado, cuyos perfiles aerodinámicos logran un menor peso y resistencia a esfuerzos mecánicos. Esto da como resultado un menor momento de inercia, reduciendo así el desgaste de las partes mecánicas en movimiento, lo que se traduce en un menor esfuerzo en el motor y los rodamientos.

Soporte chumacera con rodamientos de bolas y sistema de fijación de anillo concéntrico para brindar mejor agarre y eliminar la vibración durante su funcionamiento.

Eje elaborado con acero AISI C 1045, maquinados al 100% bajo tolerancias normalizadas ANSI y revestidos con un barniz anticorrosivo para protegerlo de los agentes ambientales.

Embocadura embutida en acero con acabado de pintura en polvo poliéster electrostática, con protección anticorrosiva.

*Los dibujos mostrados son únicamente ilustrativos.



Características técnicas



Modelo	Velocidad RPM	HP Máximos	Prestaciones de caudal a descarga libre	Presión estática
HGTA - 630 / H IHGTA - 630 / H	600 - 1300	3	7,454 m ³ /hr (4,387 CFM) hasta 16,151 m ³ /hr (9,506 CFM)	Hasta 22.35 mmca (0.88"wg)
HGTA - 800 / L IHGTA - 800 / L	600 - 1325	5	10,162 m ³ /hr (5,981 CFM) hasta 22,440 m ³ /hr (13,208 CFM)	Hasta 42.67 mmca (1.68"wg)
HGTA - 800 / H IHGTA - 800 / H	600 - 1175	5	13893 m ³ /hr (8,177 CFM) hasta 27,204 m ³ /hr (16,012 CFM)	Hasta 33.32 mmca (1.312"wg)
HGTA - 1000 / L IHGTA - 1000 / L	550 - 1300	7.5	15,804 m ³ /hr (9,302 CFM) hasta 37,354 m ³ /hr (21,986 CFM)	Hasta 46.94 mmca (1.848"wg)
HGTA - 1000 / H IHGTA - 1000 / H	475 - 1100	5	17,420 m ³ /hr (10,253 CFM) hasta 40,341 m ³ /hr (23,744 CFM)	Hasta 37.59 mmca (1.48"wg)

* Bajo pedido, voltajes especiales (208, 240, 254, 277, 380, 480) para trabajo de uso continuo.

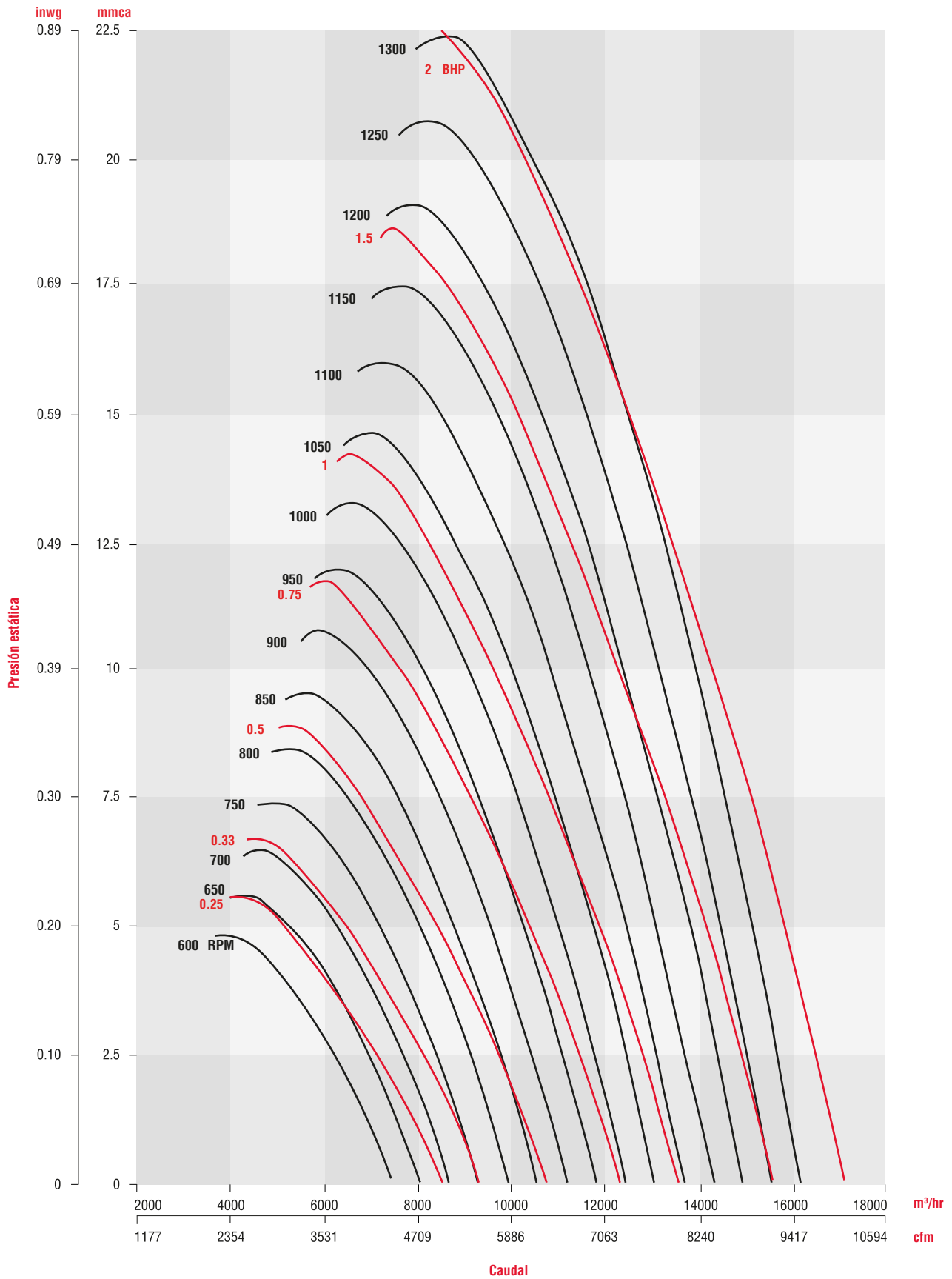


Características técnicas HGTA-630/H

RPM		PRESIÓN ESTÁTICA inwg / mmca																									
		0		0.1 / 2.54		0.2 / 5.08		0.25 / 6.35		0.3 / 7.62		0.35 / 8.89		0.38 / 9.652		0.4 / 10.16		0.45 / 11.43		0.5 / 12.7		0.65 / 16.51		0.7 / 17.78			
		CFM	m³/hr	CFM	m³/hr	CFM	m³/hr	CFM	m³/hr	CFM	m³/hr	CFM	m³/hr	CFM	m³/hr	CFM	m³/hr	CFM	m³/hr	CFM	m³/hr	CFM	m³/hr	CFM	m³/hr	CFM	m³/hr
600	BHP	4387	7454	3641	6186																						
	dB (A)	0.17	53.2	0.19	51.1																						
650	BHP	4753	8075	4086	6942	3073	5221																				
	dB (A)	0.21	54.9	0.24	53.2	0.26	49.9																				
675	BHP	4936	8386	4302	7309	3396	5770																				
	dB (A)	0.24	55.8	0.26	54.2	0.29	51.4																				
700	BHP	5119	8697	4514	7669	3684	6259	2985	5072																		
	dB (A)	0.26	56.6	0.29	55.1	0.32	52.8	0.32	50.3																		
750	BHP	5484	9317	4931	8378	4211	7154	3739	6353																		
	dB (A)	0.32	58.0	0.35	56.8	0.39	55.0	0.39	53.6																		
775	BHP	5667	9628	5136	8726	4459	7576	4034	6854	3434	5834																
	dB (A)	0.36	58.8	0.39	57.6	0.42	56.0	0.43	54.8	0.43	53.0																
800	BHP	5850	9939	5339	9071	4699	7984	4309	7321	3817	6485																
	dB (A)	0.39	59.4	0.42	58.4	0.46	56.9	0.47	55.9	0.48	54.5																
825	BHP	6033	10250	5540	9412	4933	8381	4571	7766	4138	7030	3453	5867														
	dB (A)	0.43	60.1	0.46	59.1	0.5	57.8	0.52	56.9	0.53	55.8	0.52	53.7														
850	BHP	6215	10559	5740	9752	5163	8772	4823	8194	4430	7527	3921	6662														
	dB (A)	0.47	60.8	0.5	59.8	0.54	58.6	0.56	57.8	0.57	56.8	0.57	55.4														
875	BHP	6398	10870	5939	10090	5388	9154	5068	8611	4705	7994	4268	7251	3983	6767												
	dB (A)	0.51	61.4	0.54	60.5	0.59	59.4	0.6	58.7	0.62	57.8	0.63	56.7	0.63	55.9												
900	BHP	6581	11181	6137	10427	5610	9531	5306	9015	4968	8441	4576	7775	4343	7379	4053	6886										
	dB (A)	0.56	62	0.59	61.2	0.63	60.2	0.65	59.5	0.67	58.8	0.68	57.8	0.68	57.2	0.68	56.4										
950	BHP	6947	11803	6529	11093	6044	10269	5769	9802	5469	9292	5135	8724	4950	8410	4746	8063	4220	7170								
	dB (A)	0.66	63.2	0.69	62.5	0.73	61.6	0.76	61.0	0.78	60.4	0.79	59.7	0.8	59.3	0.8	58.8	0.8	57.4								
975	BHP	7129	12112	6724	11424	6257	10631	5995	10186	5710	9701	5396	9168	5226	8879	5042	8566	4609	7831								
	dB (A)	0.71	63.7	0.74	63.1	0.79	62.2	0.81	61.7	0.83	61.2	0.85	60.5	0.86	60.1	0.86	59.7	0.87	58.7								
1000	BHP	7312	12423	6918	11754	6468	10989	6217	10563	5945	10101	5650	9599	5490	9328	5321	9040	4940	8393	4424	7516						
	dB (A)	0.77	64.3	0.8	63.6	0.84	62.9	0.87	62.4	0.89	61.9	0.91	61.3	0.92	61.0	0.93	60.6	0.94	59.8	0.93	58.5						
1050	BHP	7678	13045	7304	12409	6885	11698	6653	11303	6405	10882	6137	10427	5996	10187	5847	9934	5527	9390	5155	8758						
	dB (A)	0.89	65.3	0.92	64.8	0.97	64.1	0.99	63.7	1.02	63.2	1.04	62.8	1.05	62.5	1.06	62.2	1.08	61.5	1.08	60.7						
1075	BHP	7861	13356	7497	12737	7091	12048	6867	11667	6629	11263	6374	10829	6239	10600	6099	10362	5799	9853	5461	9278						
	dB (A)	0.95	65.9	0.99	65.3	1.03	64.7	1.06	64.3	1.08	63.9	1.11	63.4	1.12	63.2	1.13	62.9	1.15	62.3	1.16	61.6						
1100	BHP	8043	13665	7688	13062	7295	12394	7080	12029	6851	11640	6606	11224	6478	11006	6344	10778	6062	10299	5750	9769						
	dB (A)	1.02	66.3	1.06	65.8	1.1	65.2	1.13	64.9	1.15	64.5	1.18	64.1	1.19	63.8	1.2	63.6	1.22	63.1	1.24	62.5						
1125	BHP	8226	13976	7880	13388	7498	12739	7290	12386	7069	12010	6835	11613	6712	11404	6585	11188	6317	10733	6025	10236	4724	8026				
	dB (A)	1.09	66.8	1.13	66.3	1.18	65.8	1.2	65.4	1.23	65.1	1.25	64.7	1.27	64.5	1.28	64.3	1.3	63.8	1.32	63.2	1.32	60.4				
1150	BHP	8409	14287	8071	13713	7700	13082	7499	12741	7286	12379	7061	11997	6943	11796	6821	11589	6566	11156	6291	10688	5212	8855				
	dB (A)	1.17	67.3	1.2	66.8	1.25	66.3	1.28	66.0	1.3	65.7	1.33	65.3	1.34	65.1	1.36	64.9	1.38	64.5	1.4	64.0	1.42	61.8				
1175	BHP	8592	14598	8261	14035	7901	13424	7706	13092	7501	12744	7283	12374	7170	12182	7053	11983	6809	11568	6548	11125	5584	9487	5075	8622		
	dB (A)	1.24	67.8	1.28	67.3	1.33	66.8	1.36	66.5	1.38	66.2	1.41	65.9	1.42	65.7	1.44	65.5	1.46	65.1	1.49	64.6	1.52	62.8	1.51	61.7		
1200	BHP	8775	14909	8451	14358	8101	13764	7912	13442	7713	13104	7504	12749	7395	12564	7283	12374	7049	11976	6800	11553	5913	10046	5513	9367		
	dB (A)	1.33	68.2	1.36	67.8	1.41	67.3	1.44	67.0	1.47	66.7	1.49	66.4	1.51	66.3	1.52	66.1	1.55	65.7	1.57	65.3	1.62	63.7	1.62	62.9		
1250	BHP	9140	15529	8830	15002	8498	14438	8320	14136	8133	13818	7938	13487	7836	13313	7732	13137	7516	12770	7288	12382	6508	11057	6196	10527		
	dB (A)	1.5	69.1	1.54	68.7	1.59	68.3	1.61	68.0	1.64	67.8	1.67	67.5	1.69	67.3	1.7	67.2	1.73	66.9	1.76	66.5	1.82	65.2	1.83	64.6		
1275	BHP	9323	15840	9019	15323	8696	14775	8523	14481	8341	14171	8152	13850	8053	13682	7953	13512	7744	13157	7525	12785	6786	11529	6498	11040		
	dB (A)	1.59	69.5	1.63	69.2	1.68	68.7	1.71	68.5	1.74	68.3	1.77	68.0	1.78	67.9	1.8	67.7	1.83	67.4	1.85	67.1	1.92	65.9	1.94	65.4		
1300	BHP	9506	16151	9208	15644	8893	15109	8724	14822	8548	14523	8364	14210	8269	14049	8171	13883	7970	13541	7759	13183	7054	11985	6786	11529		
	dB (A)	1.68	70.0	1.73	69.6	1.78	69.2	1.8	69.0	1.83	68.7	1.86	68.5	1.88	68.4	1.89	68.2	1.92	67.9	1.95	67.6	2.03	66.5	2.05	66.1		



Curvas características HGTA-630/H



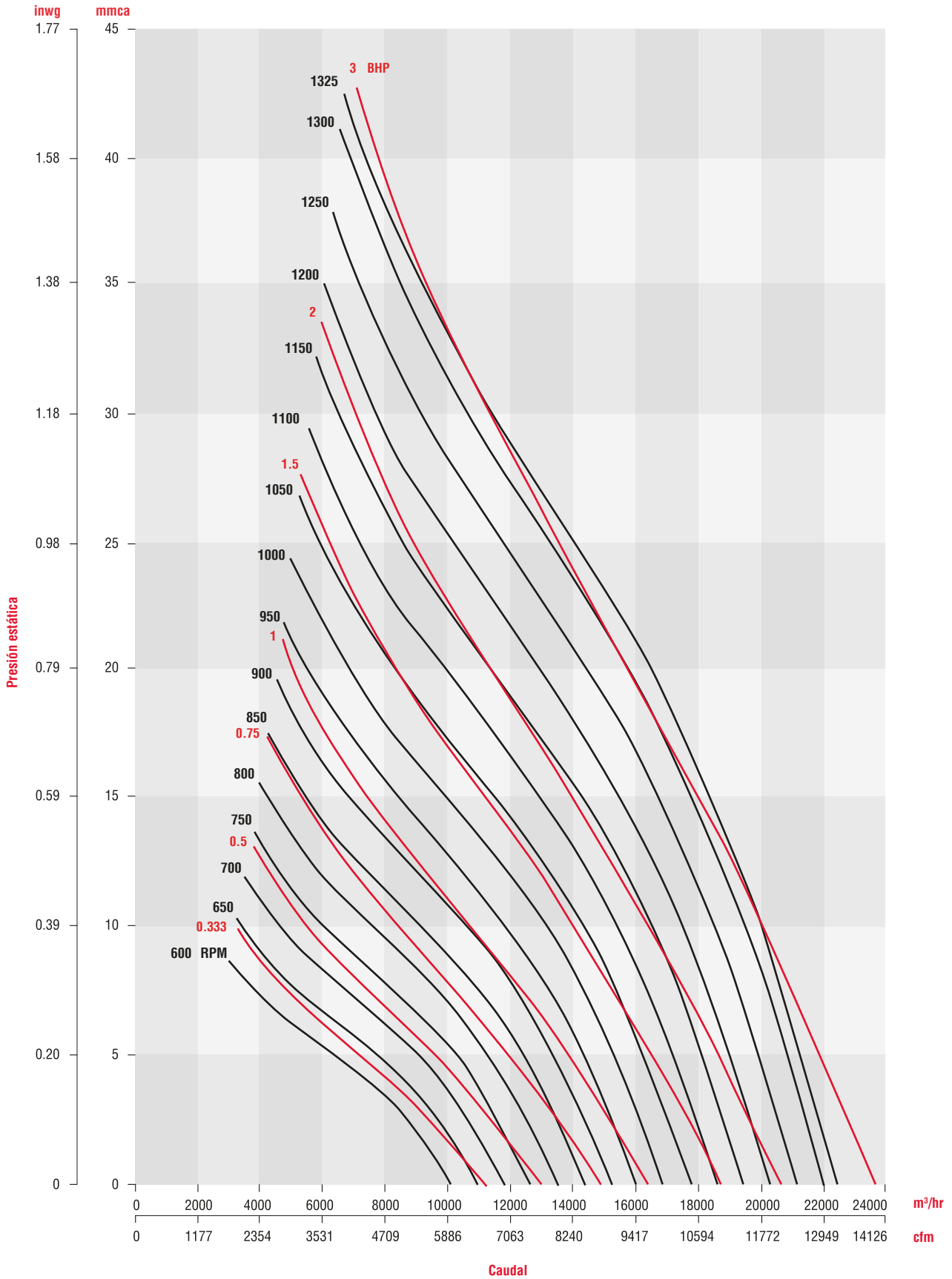


Características técnicas **HGTA-800/L**

HGTA-800/L																									
PRESIÓN ESTÁTICA inwg / mmca																									
RPM	0		0.25 / 6.35		0.38 / 9.652		0.5 / 12.7		0.63 / 16.002		0.75 / 19.05		0.88 / 22.352		1 / 25.4		1.25 / 31.75		1.38 / 35.052		1.5 / 38.1		1.63 / 41.402		
	CFM	m³/hr	CFM	m³/hr	CFM	m³/hr	CFM	m³/hr	CFM	m³/hr	CFM	m³/hr	CFM	m³/hr	CFM	m³/hr	CFM	m³/hr	CFM	m³/hr	CFM	m³/hr	CFM	m³/hr	CFM
BHP	dB (A)	BHP	dB (A)	BHP	dB (A)	BHP	dB (A)	BHP	dB (A)	BHP	dB (A)	BHP	dB (A)	BHP	dB (A)	BHP	dB (A)	BHP	dB (A)	BHP	dB (A)	BHP	dB (A)	BHP	dB (A)
600	5981	10162	2920	4961																					
	0.24	64.0	0.28	55.8																					
625	6230	10585	3382	5746	1841	3128																			
	0.27	64.9	0.32	57.9	0.3	50.8																			
650	6479	11008	3848	6538	2185	3712																			
	0.3	65.8	0.37	59.8	0.34	53.2																			
700	6978	11856	4732	8040	2966	5039																			
	0.38	67.4	0.46	62.9	0.44	57.5																			
725	7227	12279	5139	8731	3399	5775	2167	3682																	
	0.42	68.1	0.52	64.2	0.49	59.4	0.47	54.2																	
750	7476	12702	5525	9387	3854	6548	2515	4273																	
	0.47	68.9	0.57	65.4	0.55	61.2	0.53	56.3																	
775	7725	13125	5892	10011	4320	7340	2888	4907																	
	0.51	69.6	0.63	66.5	0.61	62.9	0.59	58.2																	
800	7974	13548	6244	10609	4785	8130	3286	5583																	
	0.56	70.3	0.69	67.4	0.68	64.4	0.65	60.0																	
850	8473	14396	6913	11745	5671	9635	4156	7061	2979	5061															
	0.68	71.6	0.82	69.2	0.83	67.0	0.8	63.4	0.77	59.5															
875	8722	14819	7234	12291	6086	10340	4617	7844	3361	5710															
	0.74	72.2	0.89	70.1	0.91	68.1	0.88	64.9	0.84	61.2															
900	8971	15242	7547	12822	6483	11015	5084	8638	3767	6400	2818	4788													
	0.8	72.8	0.96	70.8	0.99	69.1	0.96	66.3	0.93	62.8	0.9	59.5													
925	9220	15665	7855	13346	6863	11660	5548	9426	4194	7126	3173	5391													
	0.87	73.4	1.04	71.6	1.07	70.0	1.06	67.6	1.02	64.3	0.99	61.1													
950	9470	16090	8157	13859	7228	12280	6000	10194	4641	7885	3549	6030													
	0.95	74	1.12	72.3	1.16	70.9	1.15	68.7	1.11	65.8	1.08	62.7													
975	9719	16513	8454	14363	7581	12880	6438	10938	5101	8667	3946	6704	3084	5240											
	1.02	74.6	1.21	73.0	1.25	71.7	1.25	69.8	1.21	67.1	1.17	64.1	1.15	61.3											
1000	9968	16936	8748	14863	7924	13463	6858	11652	5568	9460	4364	7414	3440	5845											
	1.1	75.1	1.29	73.6	1.35	72.5	1.35	70.8	1.32	68.4	1.28	65.6	1.25	62.8											
1025	10217	17359	9038	15356	8257	14029	7263	12340	6033	10250	4801	8157	3816	6483	3060	5199									
	1.19	75.6	1.39	74.2	1.44	73.2	1.46	71.7	1.43	69.6	1.39	66.9	1.35	64.3	1.33	61.7									
1050	10466	17782	9325	15843	8583	14583	7651	12999	6491	11028	5254	8927	4212	7156	3404	5783									
	1.28	76.2	1.48	74.8	1.54	73.9	1.57	72.5	1.55	70.6	1.51	68.2	1.47	65.7	1.44	63.2									
1175	11712	19899	10725	18222	10127	17206	9421	16006	8571	14562	7552	12831	6434	10931	5392	9161	3821	6492							
	1.79	78.6	2.03	77.6	2.12	76.9	2.18	76.1	2.2	75.0	2.18	73.5	2.14	71.7	2.08	69.6	2.02	65.7							
1200	11962	20323	11000	18689	10423	17709	9750	16565	8946	15199	7985	13567	6901	11725	5840	9922	4182	7105	3563	6054					
	1.9	79.1	2.15	78.1	2.24	77.5	2.31	76.7	2.34	75.7	2.34	74.4	2.29	72.7	2.24	70.8	2.16	66.9	2.14	65.1					
1225	12211	20746	11273	19153	10717	18208	10072	17112	9311	15819	8404	14278	7363	12510	6299	10702	4560	7747	3904	6633					
	2.03	79.5	2.28	78.6	2.38	78.0	2.45	77.3	2.49	76.4	2.49	75.2	2.45	73.7	2.4	71.9	2.31	68.1	2.28	66.3					
1250	12460	21170	11545	19615	11007	18701	10389	17651	9665	16421	8809	14966	7817	13281	6764	11492	4953	8415	4261	7239	3681	6254			
	2.15	79.9	2.41	79.1	2.51	78.5	2.59	77.8	2.64	77.0	2.65	75.9	2.62	74.6	2.57	72.9	2.47	69.3	2.44	67.6	2.42	65.9			
1275	12709	21593	11816	20075	11295	19190	10701	18181	10012	17010	9202	15634	8260	14034	7231	12285	5364	9113	4632	7870	4016	6823			
	2.28	80.4	2.55	79.5	2.66	79.0	2.74	78.4	2.79	77.6	2.81	76.6	2.79	75.4	2.74	73.9	2.64	70.4	2.6	68.7	2.57	67.1			
1300	12958	22016	12086	20534	11580	19674	11009	18704	10351	17586	9583	16282	8690	14764	7695	13074	5789	9836	5020	8529	4369	7423			
	2.42	80.8	2.7	80.0	2.81	79.5	2.89	78.9	2.95	78.2	2.98	77.3	2.97	76.2	2.93	74.8	2.81	71.5	2.77	69.8	2.74	68.2			
1325	13208	22440	12354	20989	11864	20157	11312	19219	10683	18150	9954	16912	9108	15474	8153	13852	6230	10585	5423	9214	4737	8048	4151	7053	
	2.56	81.2	2.85	80.4	2.96	80.0	3.05	79.4	3.12	78.8	3.15	77.9	3.15	76.9	3.12	75.6	3	72.5	2.95	70.9	2.91	69.4	2.89	67.8	



Curvas características HGTA-800/L



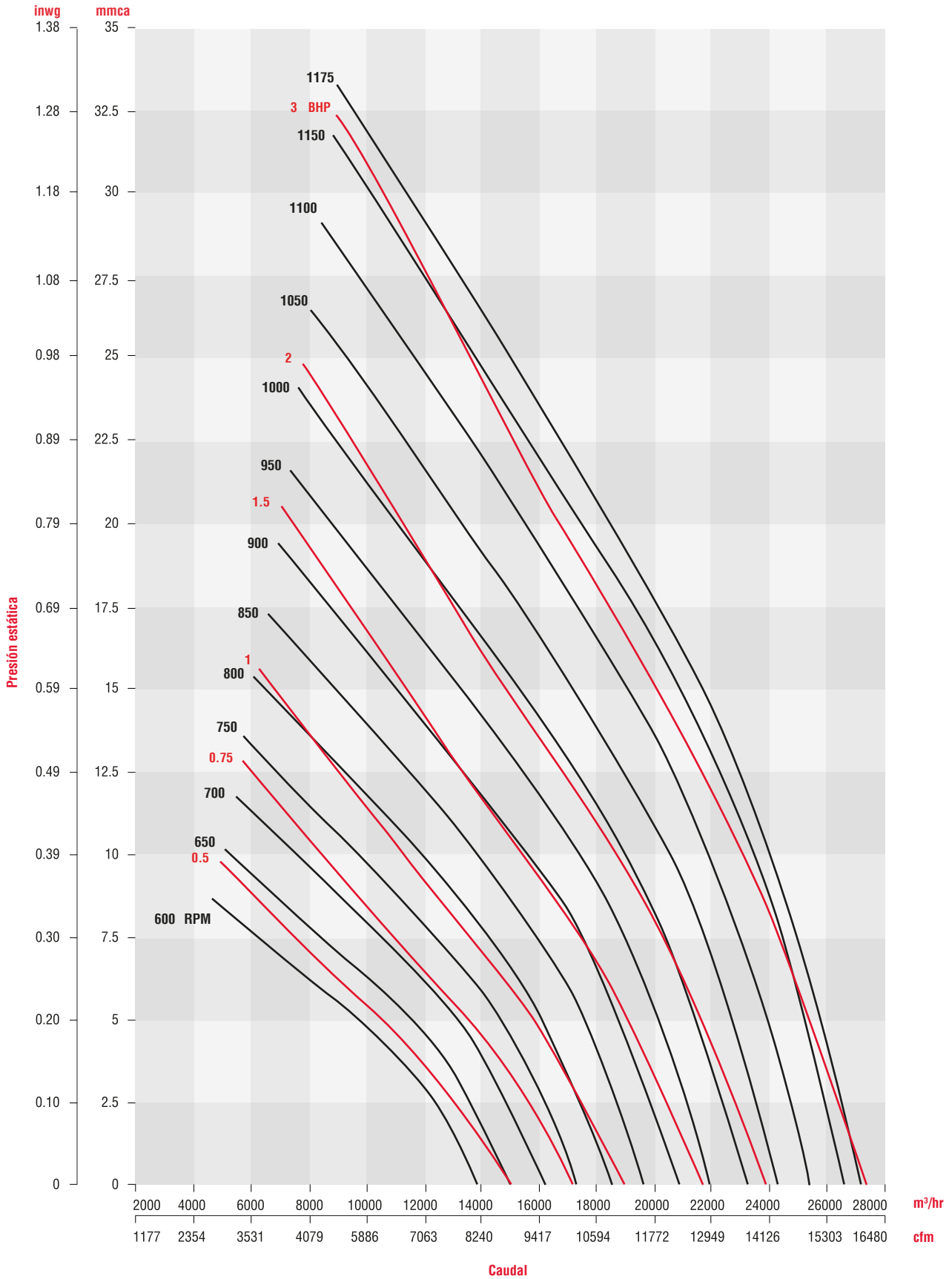


Características técnicas **HGTA-800/H**

RPM		PRESIÓN ESTÁTICA inwg / mmca																							
		0		0.1 / 2.54		0.13 / 3.302		0.25 / 6.35		0.38 / 9.652		0.5 / 12.7		0.63 / 16.002		0.75 / 19.05		0.88 / 22.352		1 / 25.4		1.13 / 28.702		1.25 / 31.75	
		CFM	m³/hr	CFM	m³/hr	CFM	m³/hr	CFM	m³/hr	CFM	m³/hr	CFM	m³/hr	CFM	m³/hr	CFM	m³/hr	CFM	m³/hr	CFM	m³/hr	CFM	m³/hr	CFM	m³/hr
600		8177	13893	7266	12345	6954	11815	4639	7882																
		0.39	66.0	0.44	64.7	0.44	64.2	0.44	59.5																
625		8517	14470	7661	13016	7377	12534	5262	8940																
		0.44	66.9	0.49	65.7	0.5	65.3	0.5	61.4																
650		8858	15050	8049	13675	7788	13232	5867	9968	3463	5884														
		0.5	67.8	0.55	66.7	0.56	66.3	0.57	63.0	0.53	56.9														
675		9199	15629	8431	14324	8190	13915	6449	10957	4144	7041														
		0.56	68.6	0.61	67.6	0.62	67.3	0.64	64.5	0.6	59.4														
700		9539	16207	8808	14965	8584	14584	7003	11898	4795	8147														
		0.63	69.4	0.68	68.5	0.69	68.2	0.72	65.8	0.68	61.4														
725		9880	16786	9182	15600	8972	15243	7531	12795	5433	9231														
		0.69	70.1	0.75	69.3	0.76	69.0	0.8	67.0	0.77	63.2														
750		10221	17365	9552	16229	9355	15894	8033	13648	6061	10298	3983	6767												
		0.77	70.9	0.82	70.1	0.84	69.9	0.88	68.1	0.86	64.8	0.81	60.0												
775		10561	17943	9919	16852	9733	16536	8514	14465	6678	11346	4667	7929												
		0.85	71.6	0.91	70.9	0.92	70.6	0.97	69.1	0.96	66.3	0.91	62.2												
800		10902	18522	10285	17474	10108	17173	8977	15252	7278	12365	5323	9044												
		0.93	72.3	0.99	71.6	1.01	71.4	1.06	70.0	1.06	67.6	1.01	64.0												
825		11243	19102	10648	18091	10480	17806	9425	16013	7859	13352	5965	10135	4060	6898										
		1.02	72.9	1.08	72.3	1.1	72.1	1.16	70.9	1.17	68.8	1.13	65.6	1.07	61.2										
850		11583	19680	11009	18704	10848	18431	9860	16752	8418	14302	6598	11210	4773	8109										
		1.12	73.6	1.18	73.0	1.2	72.8	1.26	71.7	1.29	69.9	1.25	67.1	1.19	63.3										
875		11924	20259	11368	19314	11215	19054	10284	17473	8954	15213	7222	12270	5444	9249										
		1.22	74.2	1.29	73.7	1.3	73.5	1.37	72.5	1.4	70.9	1.37	68.4	1.31	65.2										
900		12265	20838	11726	19922	11580	19674	10700	18179	9469	16088	7835	13312	6095	10355	4335	7365								
		1.33	74.8	1.4	74.3	1.41	74.2	1.48	73.3	1.52	71.8	1.51	69.7	1.45	66.8	1.39	62.8								
925		12605	21416	12083	20529	11942	20289	11108	18872	9965	16931	8434	14329	6736	11444	5059	8595								
		1.44	75.4	1.51	74.9	1.53	74.8	1.6	74.0	1.65	72.7	1.65	70.8	1.59	68.2	1.53	64.9								
950		12946	21995	12439	21134	12303	20903	11509	19554	10443	17743	9015	15316	7368	12518	5738	9749								
		1.56	76	1.63	75.5	1.65	75.4	1.73	74.6	1.78	73.5	1.79	71.8	1.74	69.5	1.67	66.6								
975		13287	22575	12794	21737	12663	21514	11905	20227	10907	18531	9577	16271	7993	13580	6395	10865	4770	8104						
		1.69	76.6	1.76	76.1	1.78	76.0	1.86	75.3	1.92	74.3	1.94	72.8	1.9	70.7	1.83	68.1	1.77	64.7						
1000		13628	23154	13148	22338	13021	22123	12297	20893	11359	19299	10120	17194	8608	14625	7039	11959	5489	9326						
		1.82	77.1	1.9	76.7	1.92	76.6	2	75.9	2.06	75.0	2.09	73.7	2.06	71.8	2	69.5	1.93	66.6						
1025		13968	23732	13501	22938	13379	22731	12684	21550	11799	20047	10644	18084	9211	15649	7676	13042	6168	10479						
		1.96	77.6	2.04	77.3	2.06	77.1	2.14	76.5	2.21	75.7	2.25	74.5	2.24	72.8	2.17	70.7	2.1	68.2						
1050		14309	24311	13853	23536	13735	23336	13067	22201	12229	20777	11150	18944	9799	16649	8306	14112	6826	11597	5326	9049				
		2.11	78.2	2.19	77.8	2.21	77.7	2.3	77.1	2.37	76.4	2.42	75.3	2.41	73.8	2.36	71.9	2.28	69.6	2.22	66.8				
1075		14650	24890	14205	24134	14090	23939	13447	22846	12652	21496	11640	19776	10371	17620	8928	15169	7472	12695	6032	10248				
		2.26	78.7	2.35	78.3	2.37	78.2	2.46	77.7	2.54	77.0	2.59	76.0	2.6	74.7	2.55	73.0	2.48	70.9	2.4	68.4				
1100		14990	25468	14556	24731	14444	24540	13825	23489	13067	22201	12116	20585	10925	18562	9541	16210	8110	13779	6706	11393	5240	8903		
		2.43	79.2	2.51	78.8	2.53	78.7	2.62	78.2	2.71	77.6	2.77	76.7	2.79	75.5	2.75	74.0	2.68	72.1	2.6	69.9	2.54	67.0		
1125		15331	26047	14906	25325	14798	25142	14200	24126	13476	22896	12580	21373	11462	19474	10142	17231	8742	14853	7362	12508	5974	10150		
		2.6	79.7	2.68	79.3	2.7	79.3	2.8	78.8	2.88	78.2	2.95	77.4	2.98	76.3	2.96	74.9	2.89	73.2	2.81	71.2	2.74	68.8		
1150		15672	26627	15256	25920	15151	25742	14572	24758	13880	23582	13032	22141	11983	20359	10730	18230	9367	15915	8008	13606	6665	11324		
		2.77	80.1	2.86	79.8	2.88	79.8	2.98	79.3	3.07	78.7	3.14	78.0	3.18	77.0	3.17	75.8	3.11	74.2	3.03	72.4	2.95	70.3		
1175		16012	27204	15605	26513	15503	26340	14943	25388	14279	24260	13474	22892	12487	21215	11302	19202	9985	16965	8646	14690	7332	12457		
		2.96	80.6	3.05	80.3	3.07	80.2	3.17	79.8	3.26	79.3	3.34	78.6	3.39	77.7	3.39	76.6	3.34	75.2	3.26	73.5	3.18	71.6		



Curvas características HGTA-800/H



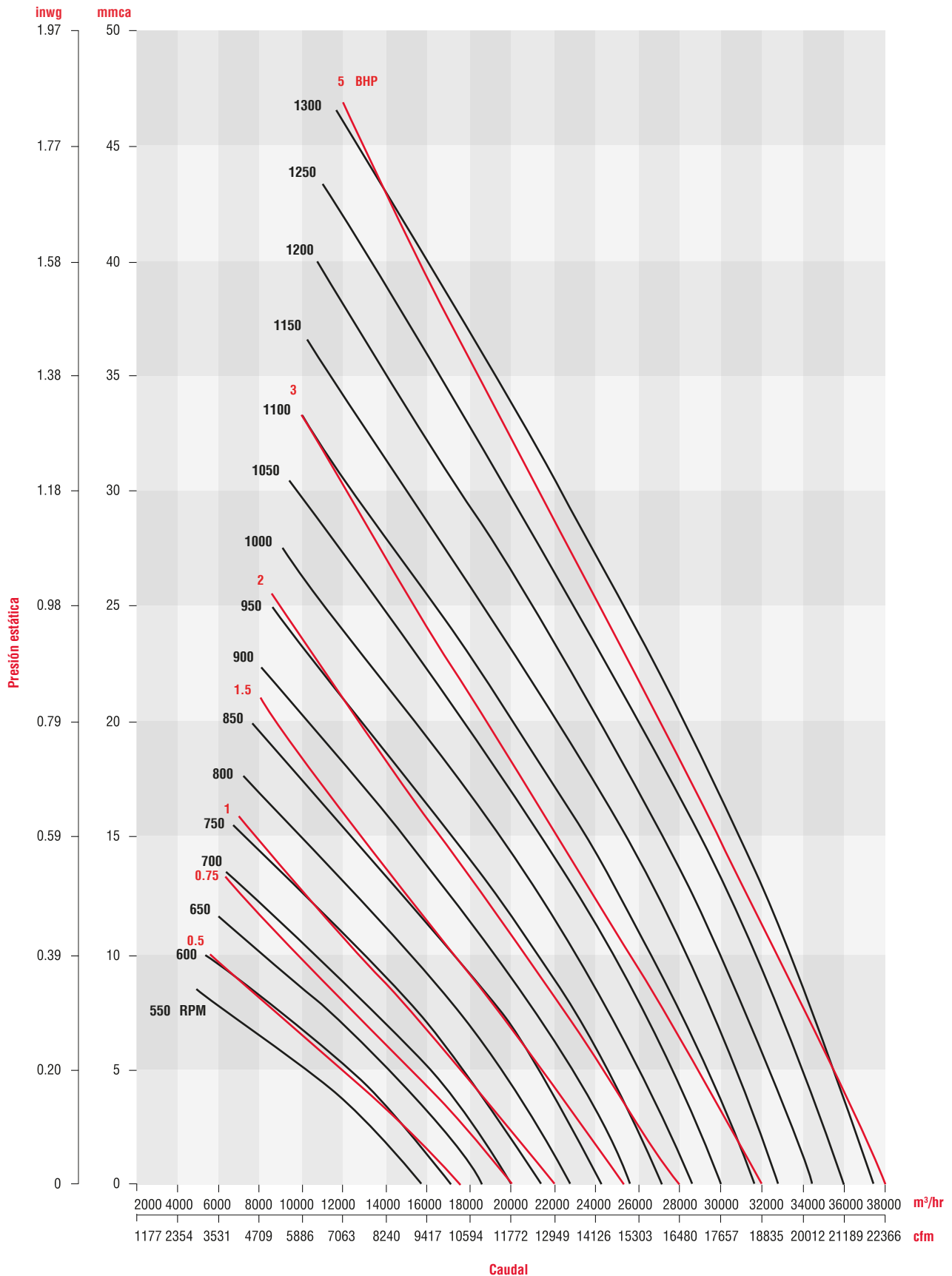


Características técnicas HGTA-1000/L

RPM		PRESIÓN ESTÁTICA inwg / mmca																									
		0		0.25 / 6.35		0.38 / 9.652		0.5 / 12.7		0.63 / 16.002		0.75 / 19.05		0.88 / 22.352		1 / 25.4		1.13 / 28.702		1.25 / 31.75		1.5 / 38.1		1.75 / 44.45			
		CFM	m³/hr	CFM	m³/hr	CFM	m³/hr	CFM	m³/hr	CFM	m³/hr	CFM	m³/hr	CFM	m³/hr	CFM	m³/hr	CFM	m³/hr	CFM	m³/hr	CFM	m³/hr	CFM	m³/hr		
		BHP	dB (A)	BHP	dB (A)	BHP	dB (A)	BHP	dB (A)	BHP	dB (A)	BHP	dB (A)	BHP	dB (A)	BHP	dB (A)	BHP	dB (A)	BHP	dB (A)	BHP	dB (A)	BHP	dB (A)	BHP	dB (A)
550		9302	15804	4725	8028																						
		0.36	70.2	0.39	62.3																						
575		9725	16523	5443	9248																						
		0.41	71.1	0.46	64.4																						
600		10147	17240	6135	10423	3525	5989																				
		0.47	72.0	0.52	66.2	0.49	59.8																				
625		10570	17958	6802	11557	4319	7338																				
		0.53	72.9	0.59	67.8	0.56	62.6																				
650		10993	18677	7444	12647	5085	8639																				
		0.59	73.8	0.67	69.3	0.64	64.9																				
675		11416	19396	8065	13702	5827	9900																				
		0.67	74.6	0.76	70.6	0.73	66.8																				
700		11839	20114	8666	14724	6547	11123	4302	7309																		
		0.74	75.4	0.84	71.8	0.82	68.5	0.79	63.7																		
750		12684	21550	9817	16679	7922	13459	5854	9946																		
		0.91	76.9	1.04	73.9	1.02	71.4	0.99	67.9																		
775		13107	22269	10372	17622	8579	14576	6599	11212	4564	7754																
		1.01	77.6	1.14	74.9	1.14	72.7	1.1	69.7	1.06	65.4																
800		13530	22987	10914	18543	9216	15658	7324	12443	5360	9107																
		1.11	78.3	1.25	75.8	1.25	73.8	1.22	71.2	1.18	67.6																
825		13953	23706	11446	19447	9836	16711	8029	13641	6135	10423																
		1.21	78.9	1.37	76.7	1.38	74.9	1.35	72.6	1.31	69.5																
850		14375	24423	11968	20334	10440	17738	8717	14810	6890	11706	5033	8551														
		1.33	79.6	1.5	77.5	1.51	75.9	1.49	73.8	1.44	71.1	1.4	67.5														
875		14798	25142	12483	21209	11029	18738	9386	15947	7627	12958	5829	9903														
		1.45	80.2	1.63	78.3	1.65	76.8	1.63	75.0	1.59	72.6	1.54	69.5														
900		15221	25860	12990	22070	11604	19715	10038	17055	8347	14182	6606	11224	4846	8233												
		1.58	80.8	1.77	79.0	1.79	77.7	1.78	76.0	1.74	73.9	1.7	71.2	1.65	67.6												
950		16067	27298	13986	23762	12721	21613	11293	19187	9736	16541	8106	13772	6450	10959												
		1.85	82	2.06	80.4	2.1	79.3	2.11	77.9	2.07	76.2	2.03	74.1	1.98	71.5												
975		16489	28015	14476	24595	13264	22536	11900	20218	10407	17681	8832	15006	7223	12272	5601	9516										
		2	82.6	2.22	81.1	2.27	80.0	2.28	78.8	2.25	77.2	2.21	75.4	2.16	73.0	2.11	70.1										
1000		16912	28733	14961	25419	13798	23443	12493	21226	11061	18793	9543	16214	7981	13560	6404	10880										
		2.16	83.1	2.39	81.7	2.45	80.8	2.46	79.6	2.44	78.2	2.4	76.5	2.35	74.4	2.3	71.9										
1050		17758	30171	15921	27050	14844	25220	13644	23181	12327	20944	10918	18550	9450	16056	7956	13517	6453	10964								
		2.5	84.2	2.75	82.9	2.82	82.1	2.85	81.1	2.84	80.0	2.81	78.5	2.76	76.9	2.7	74.9	2.65	72.5								
1100		18603	31606	16866	28655	15864	26953	14755	25069	13541	23006	12235	20787	10861	18453	9449	16054	8020	13626	6584	11186						
		2.88	85.2	3.14	84.0	3.22	83.3	3.27	82.5	3.27	81.5	3.25	80.3	3.21	79.0	3.15	77.4	3.09	75.5	3.04	73.2						
1150		19449	33044	17800	30242	16862	28649	15833	26900	14709	24991	13499	22935	12217	20757	10886	18495	9529	16190	8161	13866						
		3.29	86.1	3.57	85.1	3.66	84.5	3.72	83.8	3.74	82.9	3.73	81.9	3.7	80.8	3.64	79.4	3.59	77.9	3.53	76.1						
1200		20295	34481	18726	31815	17844	30317	16883	28684	15839	26910	14715	25001	13520	22970	12271	20848	10985	18664	9682	16450	7051	11980				
		3.74	87.1	4.04	86.1	4.14	85.6	4.21	84.9	4.25	84.2	4.25	83.3	4.23	82.4	4.18	81.3	4.12	80.0	4.06	78.5	3.94	74.8				
1250		21140	35917	19643	33373	18811	31960	17909	30427	16935	28773	15888	26994	14774	25101	13604	23113	12391	21052	11151	18946	8637	14674				
		4.23	87.9	4.54	87.1	4.66	86.6	4.74	86.0	4.79	85.4	4.81	84.6	4.79	83.8	4.76	82.9	4.71	81.8	4.65	80.6	4.52	77.6				
1275		21563	36636	20099	34148	19289	32772	18415	31287	17473	29687	16461	27967	15385	26139	14252	24214	13075	22214	11867	20162	9409	15986	6926	11767		
		4.48	88.4	4.81	87.6	4.93	87.1	5.02	86.6	5.07	85.9	5.1	85.3	5.09	84.5	5.06	83.6	5.02	82.6	4.96	81.5	4.83	78.8	4.7	75.3		
1300		21986	37354	20553	34920	19765	33581	18916	32138	18004	30589	17026	28927	15985	27159	14889	25296	13747	23356	12572	21360	10169	17277	7740	13150		
		4.75	88.8	5.09	88.0	5.21	87.6	5.31	87.1	5.37	86.5	5.4	85.8	5.4	85.1	5.38	84.3	5.34	83.4	5.28	82.3	5.15	79.9	5.02	76.7		



Curvas características HGTA-1000/L



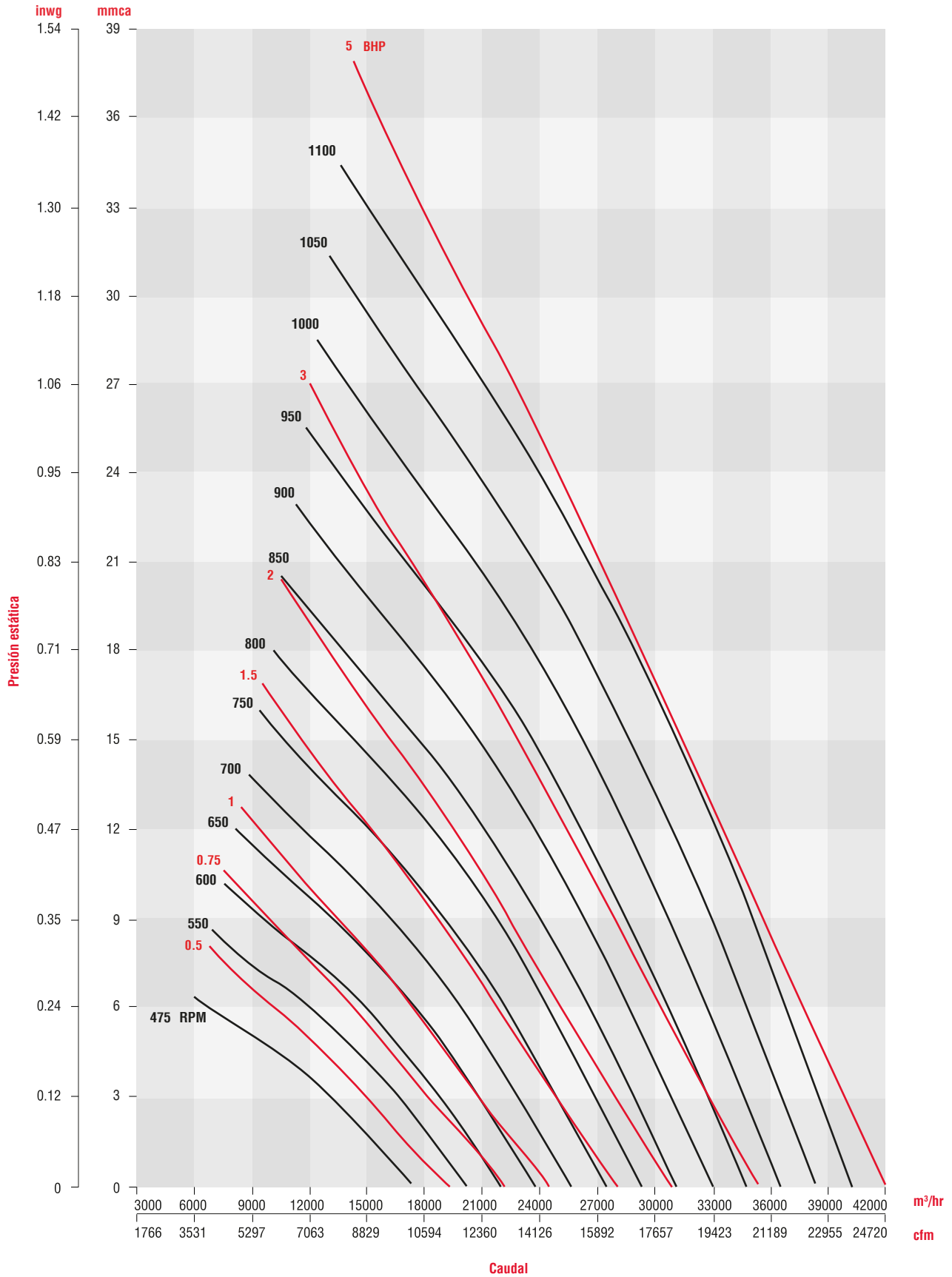


Características técnicas **HGTA-1000/H**

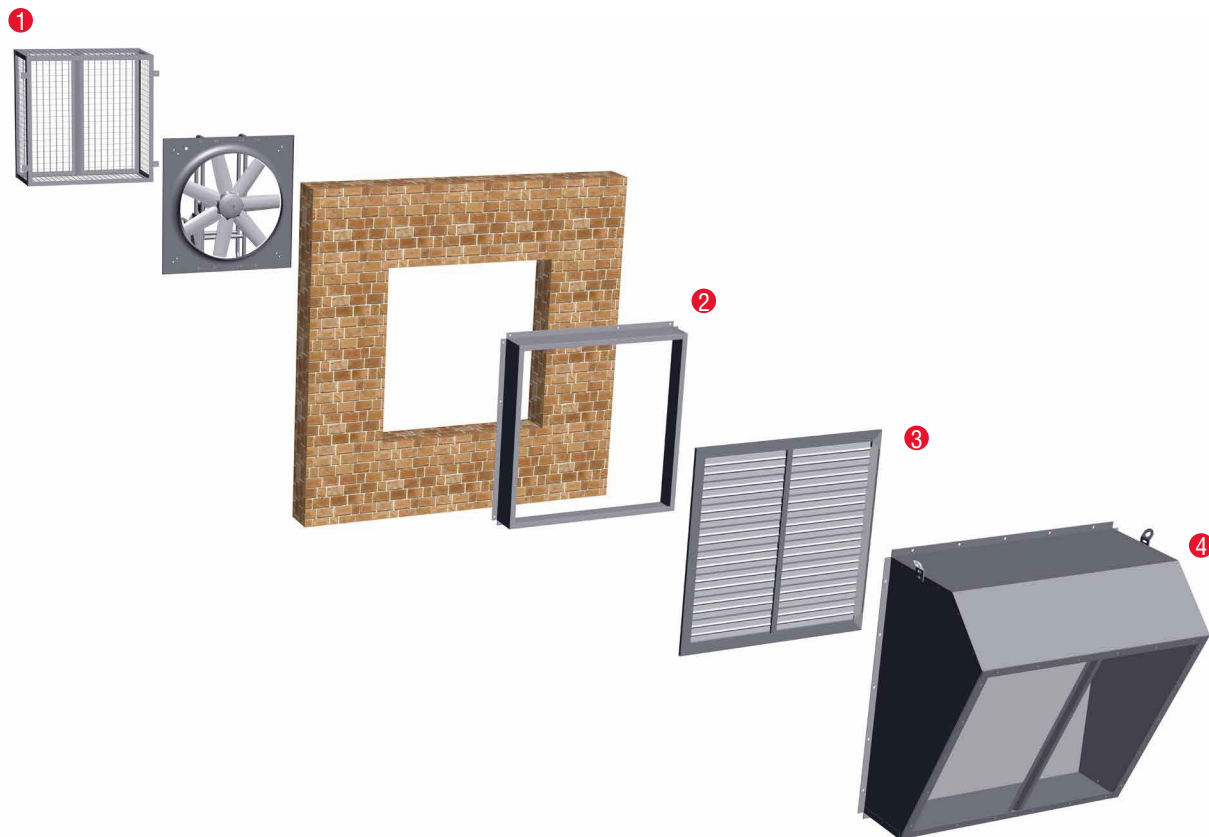
RPM		PRESIÓN ESTÁTICA inwg / mmca																							
		0		0.1 / 2.54		0.13 / 3.302		0.25 / 6.35		0.38 / 9.652		0.5 / 12.7		0.63 / 16.002		0.75 / 19.05		0.88 / 22.352		1 / 25.4		1.13 / 28.702		1.25 / 31.75	
		CFM	m³/hr	CFM	m³/hr	CFM	m³/hr	CFM	m³/hr	CFM	m³/hr	CFM	m³/hr	CFM	m³/hr	CFM	m³/hr	CFM	m³/hr	CFM	m³/hr	CFM	m³/hr	CFM	m³/hr
475		10253	17420	8170	13881	7571	12863	3538	6011																
		0.35	71.0	0.39	68.4	0.39	67.5	0.35	58.7																
500		10793	18337	8832	15006	8284	14075	4599	7814																
		0.41	72.1	0.46	69.8	0.46	69.0	0.42	62.2																
550		11872	20171	10110	17177	9637	16373	6689	11365																
		0.55	74.2	0.61	72.3	0.61	71.7	0.59	67.5																
575		12412	21088	10733	18235	10289	17481	7621	12948																
		0.63	75.1	0.69	73.4	0.7	73.0	0.68	69.5																
600		12951	22004	11348	19280	10928	18567	8484	14414	5097	8660														
		0.72	76.0	0.78	74.5	0.79	74.1	0.79	71.2	0.72	65.3														
650		14031	23839	12557	21334	12176	20687	10063	17097	7245	12309														
		0.91	77.8	0.98	76.5	0.99	76.1	1.01	73.9	0.96	70.1														
675		14570	24754	13153	22347	12789	21729	10802	18353	8247	14012	5136	8726												
		1.02	78.6	1.1	77.4	1.11	77.1	1.13	75.1	1.09	72.0	1.01	66.5												
700		15110	25672	13745	23353	13396	22760	11516	19566	9182	15600	6196	10527												
		1.14	79.4	1.22	78.3	1.23	78.0	1.26	76.2	1.23	73.6	1.15	69.1												
725		15650	26589	14333	24352	13998	23783	12211	20746	10058	17089	7282	12372												
		1.26	80.1	1.35	79.1	1.37	78.9	1.4	77.3	1.38	75.0	1.31	71.3												
750		16189	27505	14917	25344	14594	24795	12890	21900	10888	18499	8343	14175	5552	9433										
		1.4	80.9	1.49	79.9	1.51	79.7	1.55	78.2	1.54	76.3	1.48	73.2	1.38	68.5										
775		16729	28423	15498	26331	15187	25803	13555	23030	11680	19844	9350	15886	6598	11210										
		1.54	81.6	1.64	80.7	1.66	80.5	1.71	79.2	1.7	77.4	1.65	74.9	1.56	70.8										
800		17268	29338	16077	27315	15776	26803	14210	24143	12442	21139	10299	17498	7683	13053										
		1.69	82.3	1.8	81.5	1.82	81.2	1.87	80.0	1.88	78.5	1.84	76.3	1.75	72.9										
825		17808	30256	16653	28293	16362	27799	14854	25237	13180	22393	11195	19020	8760	14883	6221	10569								
		1.86	82.9	1.97	82.2	1.99	82.0	2.05	80.8	2.06	79.5	2.03	77.6	1.95	74.7	1.84	70.8								
850		18348	31173	17226	29267	16945	28790	15491	26319	13897	23611	12047	20468	9798	16647	7272	12355								
		2.03	83.6	2.15	82.9	2.17	82.7	2.24	81.6	2.26	80.4	2.23	78.7	2.16	76.3	2.06	72.9								
875		18887	32089	17798	30239	17525	29775	16121	27390	14598	24802	12861	21851	10784	18322	8357	14199								
		2.22	84.2	2.34	83.5	2.36	83.4	2.44	82.4	2.46	81.2	2.45	79.8	2.38	77.7	2.28	74.8								
900		19427	33006	18368	31207	18103	30757	16744	28448	15285	25969	13645	23183	11719	19911	9437	16033	7087	12041						
		2.41	84.8	2.54	84.2	2.56	84.0	2.64	83.1	2.68	82.1	2.67	80.7	2.62	79.0	2.52	76.5	2.41	73.2						
925		19967	33924	18936	32172	18678	31734	17362	29498	15959	27114	14404	24472	12608	21421	10483	17811	8152	13850						
		2.62	85.4	2.75	84.8	2.77	84.7	2.86	83.8	2.91	82.8	2.91	81.6	2.86	80.1	2.78	78.0	2.66	75.1						
950		20506	34840	19503	33136	19252	32709	17975	30540	16623	28242	15142	25726	13458	22865	11484	19511	9239	15697	7076	12022				
		2.84	86	2.97	85.4	3	85.3	3.09	84.5	3.14	83.6	3.15	82.5	3.12	81.1	3.04	79.3	2.93	76.8	2.81	73.7				
975		21046	35757	20068	34096	19824	33681	18583	31573	17278	29355	15863	26951	14274	24252	12437	21130	10316	17527	8119	13794				
		3.07	86.6	3.2	86.0	3.23	85.9	3.34	85.1	3.39	84.3	3.41	83.3	3.38	82.1	3.32	80.5	3.21	78.3	3.09	75.6				
1000		21586	36675	20632	35054	20394	34649	19188	32600	17925	30455	16568	28149	15063	25592	13345	22673	11360	19301	9199	15629				
		3.31	87.1	3.45	86.6	3.48	86.5	3.59	85.8	3.66	85.0	3.68	84.1	3.66	83.0	3.6	81.6	3.51	79.7	3.39	77.3				
1025		22125	37590	21195	36010	20963	35616	19788	33620	18566	31544	17260	29325	15828	26892	14214	24150	12360	21000	10285	17474	8224	13973		
		3.56	87.6	3.71	87.2	3.74	87.0	3.86	86.4	3.93	85.6	3.96	84.8	3.95	83.8	3.9	82.5	3.82	80.9	3.7	78.8	3.57	76.2		
1050		22665	38508	21756	36963	21530	36579	20386	34636	19199	32619	17941	30482	16574	28159	15051	25572	13317	22626	11353	19289	9294	15791		
		3.83	88.2	3.98	87.7	4.01	87.6	4.14	86.9	4.22	86.3	4.25	85.5	4.25	84.6	4.21	83.4	4.14	82.0	4.03	80.2	3.9	77.9		
1075		23204	39424	22317	37917	22096	37541	20980	35645	19828	33688	18612	31622	17303	29398	15858	26943	14231	24178	12387	21046	10381	17637	8441	14341
		4.11	88.7	4.27	88.2	4.3	88.1	4.43	87.5	4.52	86.9	4.56	86.1	4.57	85.3	4.54	84.3	4.47	83.0	4.37	81.4	4.24	79.4	4.1	77.0
1100		23744	40341	22876	38866	22661	38501	21572	36651	20451	34746	19275	32748	18016	30609	16642	28275	15109	25670	13379	22731	11461	19472	9503	16146
		4.41	89.2	4.57	88.7	4.6	88.6	4.74	88.1	4.83	87.5	4.88	86.8	4.89	86.0	4.87	85.1	4.82	84.0	4.73	82.6	4.6	80.8	4.46	78.6



Curvas características HGTA-1000/H



Accesorios



- 1 Malla de protección
- 2 Unión persiana
- 3 Persiana
- 4 Cubierta intemperie 45° o 90°

Accesorios eléctricos



Interrupción
eléctrica



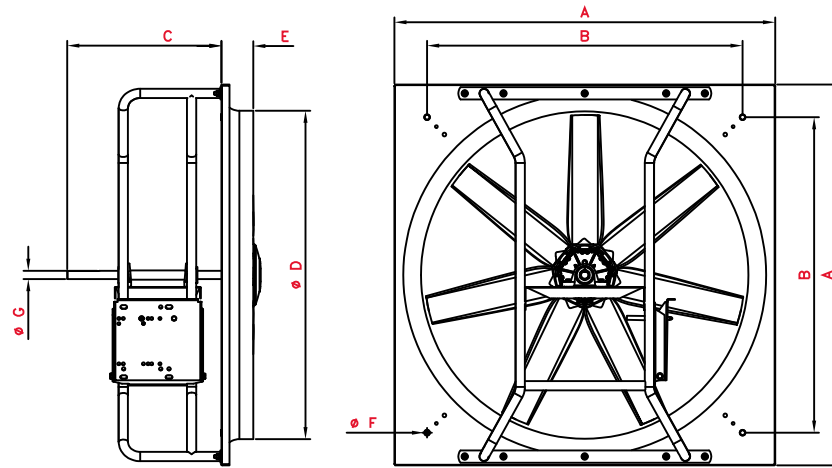
Guardamotor

*Los dibujos mostrados son únicamente ilustrativos.



HGTA 630 al 1000

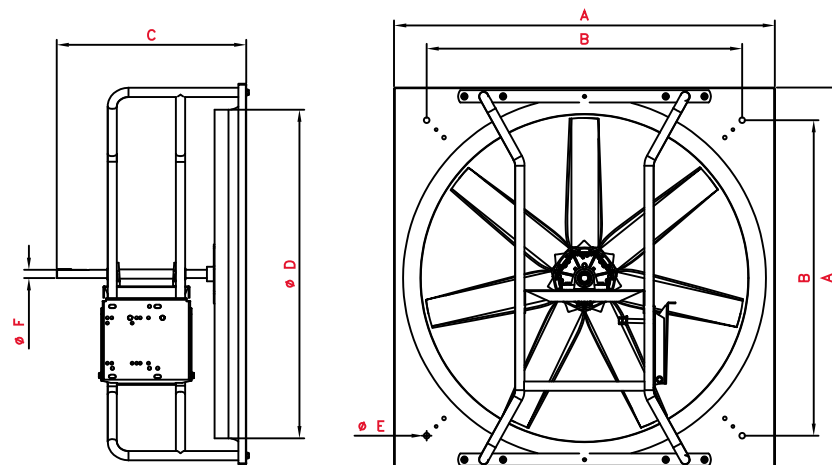
Dimensiones Extractor



Dimensiones nominales en milímetros

EXTRACTOR HGTA							
Modelo	A	B	C	D	E	F	G
HGTA-630	809	637	424	632	72	16	22.2
HGTA-800	1008	835	424	800	90	16	22.2
HGTA-1000	1175	973	476	1010	98	16	25.4

Dimensiones Inyector



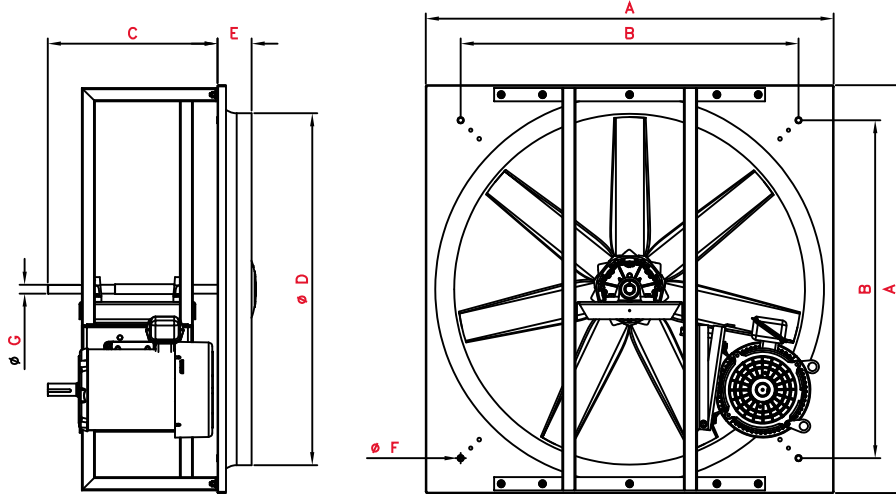
Dimensiones nominales en milímetros

INYECTOR HGTA						
Modelo	A	B	C	D	E	F
HGTA-630	809	637	485	632	16	22.2
HGTA-800	1008	835	512	800	16	22.2
HGTA-1000	1175	973	585	1010	16	25.4



HGTA 1000 7.5 HP

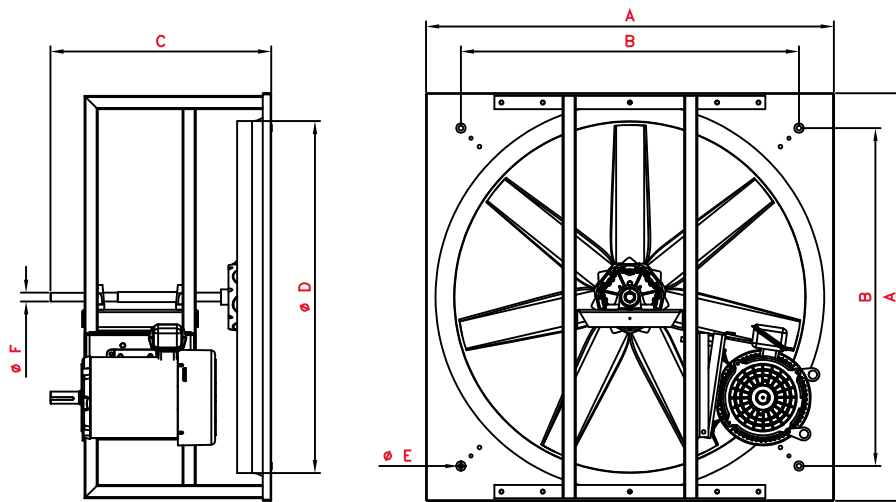
Dimensiones Extractor



Dimensiones nominales en milímetros

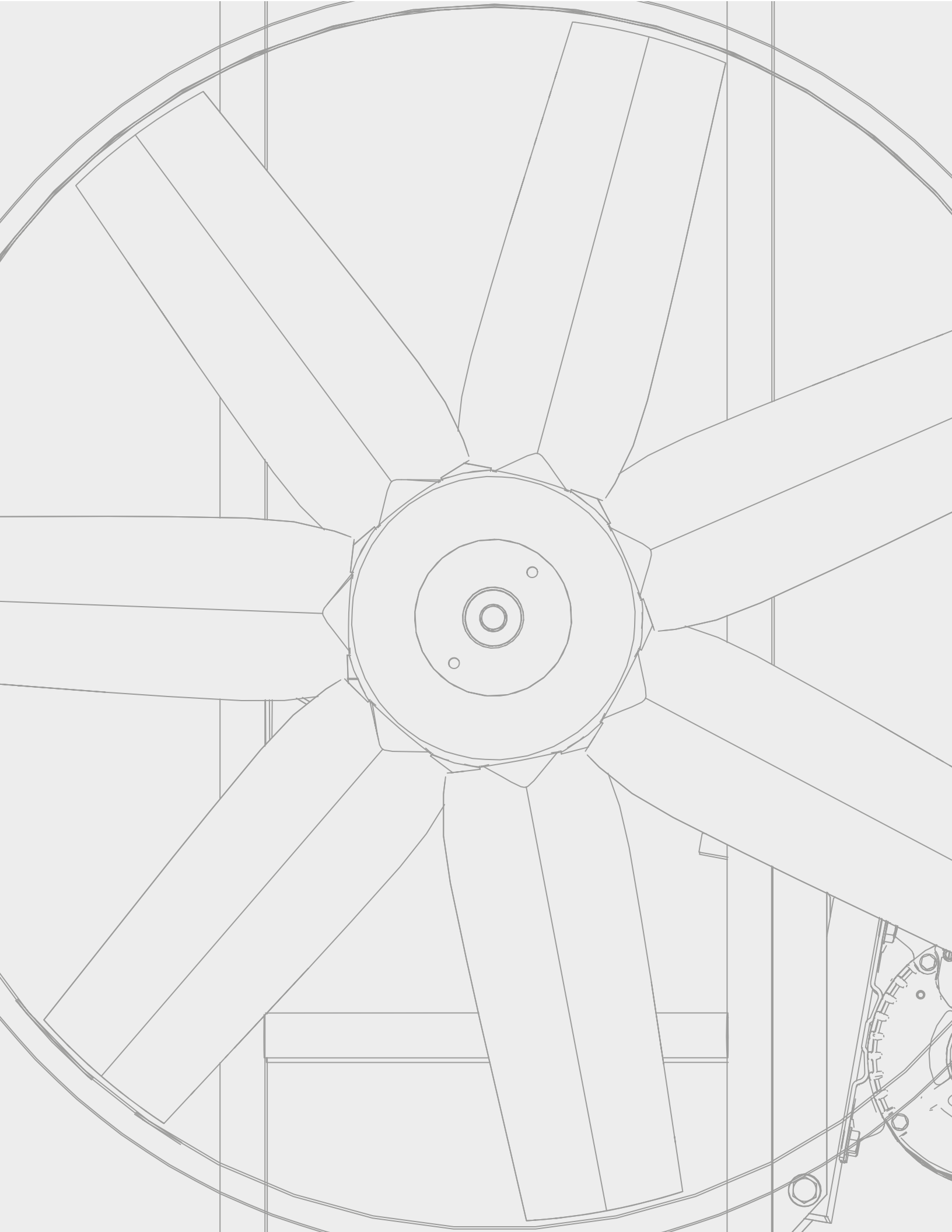
EXTRACTOR HGTA							
Modelo	A	B	C	D	E	F	G
HGTA-10007.5	1175	973	489	1010	98	16	25.4

Dimensiones Inyector



Dimensiones nominales en milímetros

INYECTOR HGTA						
Modelo	A	B	C	D	E	F
HGTA-10007.5	1175	973	635	1010	16	25.4





www.solerpalau.mx

S&P México

Tel. 52 (222) 2 233 911, 2 233 900
comercialmx@solerpalau.com

S&P Colombia

PBX: (+571 743 8021)
comercial@solerpalau.com.co

S&P Perú

Tel. +51 (1) 200 9020
comercialpe@solerpalau.com



ISO 9001: 2015

S&P México se reserva el derecho de
modificación sin previo aviso.

Ed. AGOSTO 2018